

AAA(LR03)
General Features

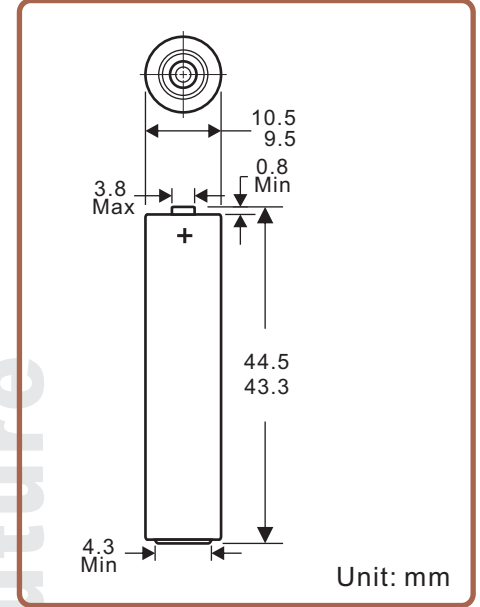


▶ Designation	IEC-LR03 JIS-AM4 ANSI-24A Others-AAA,E92,MN2400
▶ Chemical System	Alkaline-Manganese Dioxide ※No Mercury and Cadmium added
▶ Nominal Voltage	1.5V
▶ Weight	Approx.11.0g
▶ Terminal	Flat
▶ Storage Temperature Range	-20°C~35°C
▶ Operating Temperature Range	-20°C~54°C
▶ Jacket	Foil jacket
▶ Shelf Life	5 years(20°C, 80% of rated capacity)
▶ Standards	IEC60086 2006/66/EC GB8897

Electrical Characteristics

CONDITION	OCV (V)	CCV (V)	SCC (A)
Fresh Battery	1.60	1.50	7.0
After 3 mths	1.59	1.48	6.0
After 12 mths	1.58	1.47	6.0

Test Conditions : Load resistance:20Ω±0.5%; Measuring time:0.2S; Temperature:20±2°C.



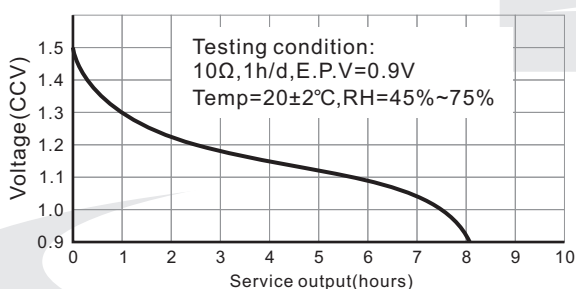
Discharge Characteristics: (20±2°C,RH:45%~75%)

Standard	Discharge Condition				Average Discharge Time		
	Appliances	Discharge Load	Discharge Time	End Voltage	Fresh Battery	After 12mths	After 36mths
IEC	Radio	75Ω	4h/d	0.9V	69.0h	60.0h	56.0h
IEC	Tape recorder	10Ω	1h/d	0.9V	8.0h	7.5h	6.8h
IEC	Portable lighting	5.1Ω	4m/h,8h/d	0.9V	235min	217min	205min
IEC	Photo flash	600mA	10s/m,1h/d	0.9V	290pulses	250pulses	200pulses
IEC	Remote control	24Ω	15s/m,8h/d	1.0V	19.0h	18.5h	17.0h

Security Characteristics: (20±2°C,RH:45%~75%)

NO	Test Item	Test Method	Sample QTY.	Standard
1	Over discharge-leakage-proof test	20±2°C,RH60±15%;20Ω continuous discharge to 0.6V; visual observation	9pcs	No leakage
2	High temperature-leakage-proof test	Store for 28 days under 60±2°C and RH:90±5%; then store for 4~24 hours under 20±2°C and RH: 60±15%	20pcs	No leakage
3	External short-circuit	20±2°C,RH=60±15%;keep the battery external short-circuit for 24hours under the specified conditions	10pcs	No explosion
4	Improper Installation	20±2°C,RH60±15%;keep four un-discharged batteries from the same batch series connected with one of them(the test battery)reversed	5groups	No explosion

Constant Resistance Performance



Constant Resistance Performance

