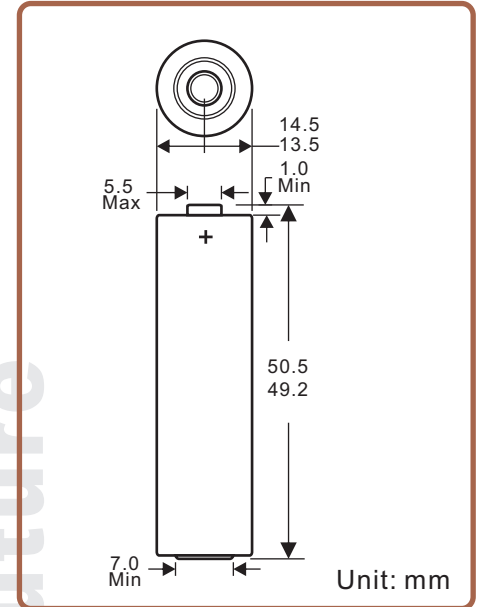


AA(LR6)

General Features

► Designation	IEC-LR6 JIS-AM3 ANSI-15A Others-AA,E91,MN1500
► Chemical System	Alkaline-Manganese Dioxide ※No Mercury and Cadmium added
► Nominal Voltage	1.5V
► Weight	Approx.23.5g
► Terminal	Flat
► Storage Temperature Range	-20°C~35°C
► Operating Temperature Range	-20°C~54°C
► Jacket	Foil jacket
► Shelf Life	5 years(20°C, 80% of rated capacity)
► Standards	IEC60086 2006/66/EC GB8897



Electrical Characteristics

CONDITION	OCV (V)	CCV (V)	SCC (A)
Fresh Battery	1.60	1.55	10.0
After 3 mths	1.59	1.50	9.0
After 12 mths	1.59	1.50	9.0

Test Conditions: Load resistance:10Ω±0.5%; Measuring time:0.2S; Temperature:20±2°C.

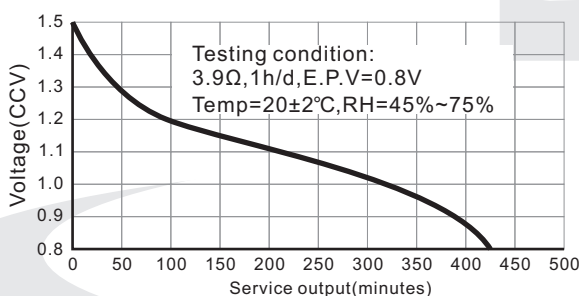
Discharge Characteristics: (20±2°C,RH:45%~75%)

Standard	Discharge Condition				Average Discharge Time		
	Appliances	Discharge Load	Discharge Time	End Voltage	Fresh Battery	After 12mths	After 36mths
IEC	Radio	43Ω	4h/d	0.9V	88.0h	83.0h	80.0h
IEC	Tape recorder	10Ω	1h/d	0.9V	18.5h	17.5h	17.0h
IEC	Electric toy	3.9Ω	1h/d	0.8V	420min	390min	360min
IEC	Remote control	24Ω	15s/m,8h/d	1.0V	45.0h	42.5h	40.0h
IEC	Photo flash	1000mA	10s/m,1h/d	0.9V	350 times	310 times	260 times
IEC	DSC	A: 1500mW B: 650mW	A-2S;B-28S;5m/h Repeat10 times	1.05V	70 times	60 times	50 times

Security Characteristics: (20±2°C,RH:45%~75%)

NO	Test Item	Test Method	Sample QTY.	Standard
1	Over discharge-leakage-proof test	20±2°C,RH60±15%;10Ω continuous discharge to 0.6V; visual observation	9pcs	No leakage
2	High temperature-leakage-proof test	Store for 28 days under 60±2°C and RH:90±5%; then store for 4~24 hours under 20±2°C and RH: 60±15%	20pcs	No leakage
3	External short-circuit	20±2°C,RH=60±15%;keep the battery external short-circuit for 24hours under the specified conditions	10pcs	No explosion
4	Improper Installation	20±2°C,RH60±15%;keep four un-discharged batteries from the same batch series connected with one of them(the test battery)reversed	5groups	No explosion

Constant Resistance Performance



Constant Resistance Performance

